

Strongman Tools

# The Tamar SL-2800 Scissor Lift

Lifts 2800 kg to 1.2 metre

Uses 240v single phase power

## Flexible and Secure Lifting

Drive over or push under vehicle

Delivered Fully Assembled  
Can be easily moved by one man



Completely Updated Design  
Detachable Mobility Kit



The workhorse of the Strongman family, the SL-2800 Tamar scissor lift is fully mobile, use it when **it's needed then store it out of the way.**

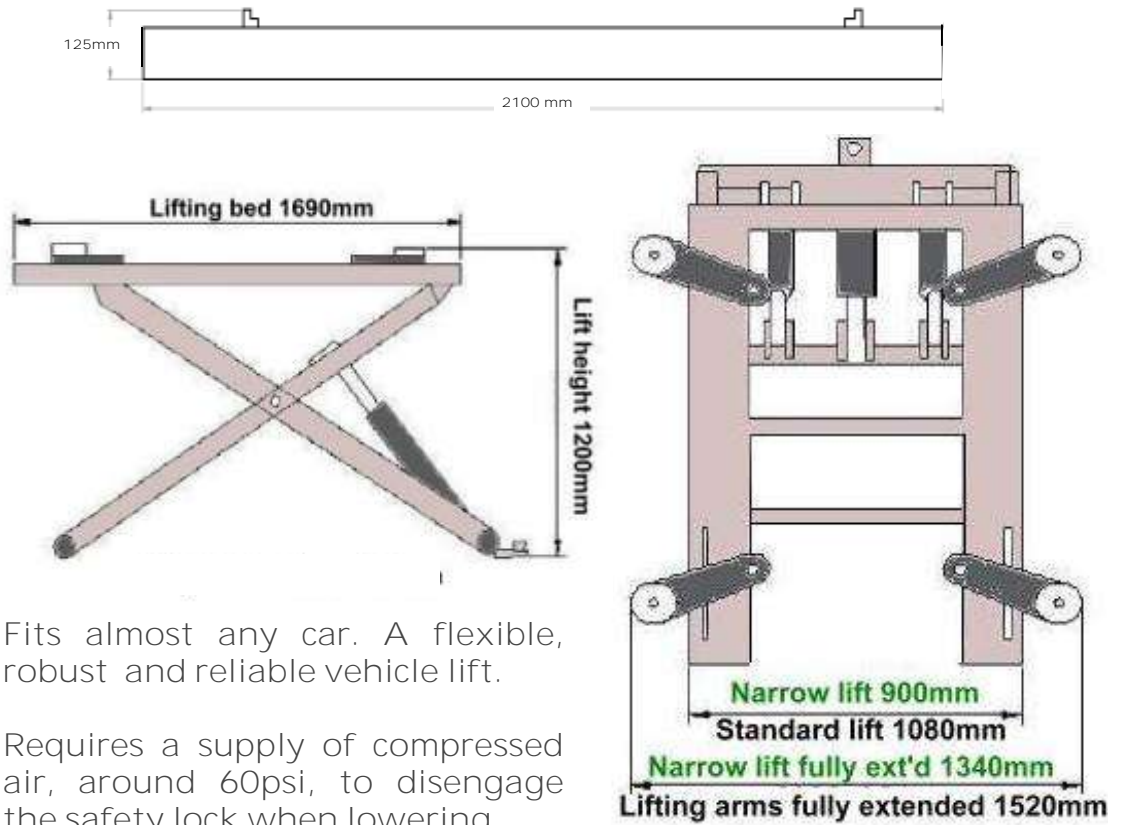
Safe and secure lifting, this CE approved equipment has a pneumatic ratchet safety system, operates from a 240V single phase supply and is delivered fully assembled – just hook up the hydraulic power unit.

The Tamar has very flexible lifting arms to ensure the best possible lifting points to provide an exceptionally stable platform.

CE

# Tamar Dimensions

Specifications	
Capacity	2800 kg
Max. Lift Height	1200 mm
Length	2100 mm
Overall Width	1080 mm <small>900mm NARROW Model</small>
Minimum Clearance	125mm
Weight	350 kg
Required Air pressure	5-10 bar 50psi
Motor	240V single Ø
Supply needed	16A
Circuit breaker	C or D rated 16A
Locking mechanism	Pneumatic



Fits almost any car. A flexible, robust and reliable vehicle lift.

Requires a supply of compressed air, around 60psi, to disengage the safety lock when lowering

125mm profile.  
Detachable Movement Handle

**STANDARD & NARROW TAMAR**  
Two versions of this lift are available, we have designed the NARROW TAMAR specifically for Classic and Sports Cars with narrow chassis

This mobile equipment is ideal as a portable, estimating or tyre/brake service lift for a workshop, for taking to a race meeting, using in the yard when space is limited or in a small garage where a full size lift just **wouldn't fit. It fits on a car trailer, uses 240V and the power unit doubles up as the movement handle.**



**tel: 08456 12 44 12**  
**www.strongmantools.co.uk**

Strongman Tools Ltd  
Berrington Road  
Leamington Spa  
Warwickshire  
CV31 1NB